

Toll Free : 888-667-0153
Tel +1 978-420-1700 ex 206
Fax +1 978-420-1701
Web: www.climbing-skins.com
Email: info@climbing-skins.com

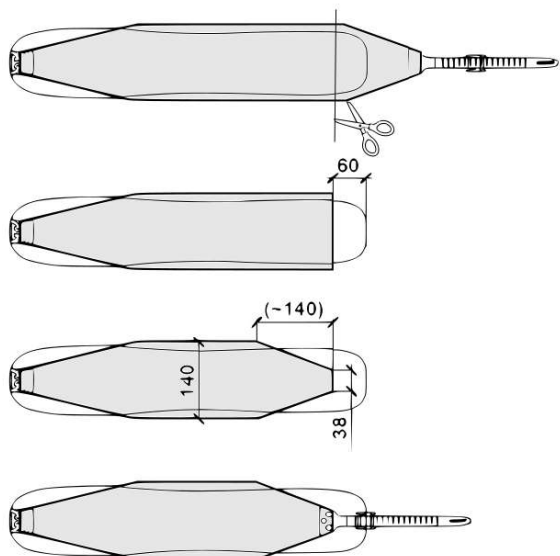
CONVERT CUT & GO SETS TO ANY SKI OR SPLITBOARD LENGTH

Cut & Go sets cover a certain length, but can be converted to fit any shorter length.

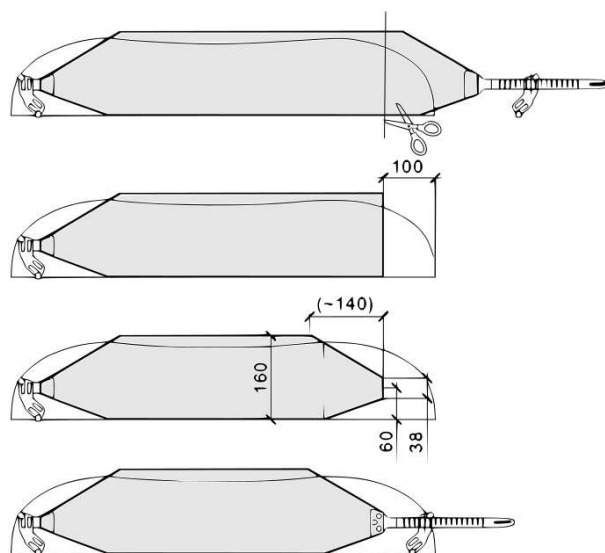
Rubberbands (with tear resistant reinforced fabric) can be attached to the end of the ski- or splitboard skins.

- Cut off the tail (ski=60mm / splitboard=100mm) from the end of YOUR ski / splitboard.
- Attach the rubberband with rivets (rubberband set).

CONVERT CUT & GO TO FIT SHORTER LENGTH



CONVERT CUT & GO TO FIT SHORTER LENGTH



REPAIR OPTION FOR CUT & GO SETS

- Cut off the rubberband off with a razor blade.
- Attach the rubberband with rivets (rubberband set).

